



**ATTENTION**

If any components of this unit are broken,  
do not operate properly, or for product returns,  
please contact PragoTrade LLC at

**1-800-814-4895**

*Outside the U.S. call 440-638-3131.*

For the online catalog, log onto [www.westonsupply.com](http://www.westonsupply.com).

*Exclusively imported by PragoTrade LLC Strongsville, Ohio*  
[www.pragotrade.com](http://www.pragotrade.com)

**Roma**<sup>TM</sup>  
by **WESTON**

**APPLE & FRUIT  
CRUSHER**

**MODEL NO. 05-0201**



*Apple & Fruit Crusher shown with  
Fruit & Wine Press  
Model No. 05-0101, Sold Separately*

# WARRANTY INFORMATION

**SAVE THIS WARRANTY INFORMATION FOR YOUR RECORDS!**

Pragotrade LLC warrants to the ORIGINAL RETAIL PURCHASER of this product that if operated in accordance with the printed instruction accompanying it, then for a period of 1 year from the date of purchase, the product shall be free from defects in material and workmanship.

The Warranty Card, along with a copy of the original receipt, must be received by Pragotrade LLC within 30 days from purchase date for the warranty to apply. Failure to send the completely filled out Warranty Card, along with a copy of the original receipt, will void the warranty.

The product must be delivered to or shipped freight prepaid to Pragotrade LLC for warranty services, in either its original packaging or similar packaging affording an equal degree of protection. Damage due to shipping is not the responsibility of the company. Pragotrade LLC charges a \$35.00 per hour bench charge. NOTE: No repairs will be started without the authorization of the customer. The return shipping cost to the customer will be added to the repair invoice.

Pragotrade LLC will repair (or at its discretion, replace) the product free of charge, if in the judgment of the company, it has been proven to be defective as to seller's labor and material, within the warranty period.

New or rebuilt replacements for factory defective parts will be supplied for one (1) year from the date of purchase. Replacement parts are warranted for the remainder of the original warranty period.

For non-warranty repairs, contact Pragotrade's Customer Service at 1-800-814-4895 M-F 8am-5pm EST (outside of the United States 440-638-3131) to obtain a Return Authorization Number (RMA Number). Pragotrade will refuse all returns that do not contain this number. **DO NOT RETURN THE UNIT WITHOUT PROPER AUTHORIZATION FROM PRAGOTRADE LLC.**

**LIMITATIONS:** The warranty is void if the product is used for any purpose other than that for which it is designed. The product must not have been previously altered, repaired, or serviced by anyone else other than Pragotrade LLC. If applicable, the serial number must not have been altered or removed. The product must not have been subjected to accident in transit or while in the customer's possession, misused, abused, or operated contrary to the instructions contained in the instruction manual. This includes failure caused by neglect of reasonable and necessary maintenance, improper line voltage and acts of nature. This warranty is not transferable and applies only to U.S. and Canadian sales.

Except to the extent prohibited by applicable law, no other warranties whether expressed or implied, including warranty merchantability and fitness for a particular purpose, shall apply to this product. Under no circumstances shall Pragotrade LLC be liable for consequential damages sustained in connection with said product and Pragotrade LLC neither assumes nor authorizes any representative or other person to assume for it any obligation or liability other than such as is expressly set forth herein. Any applicable implied warranties are also limited to the one (1) year period of the limited warranty.

This warranty covers only the product and its specific parts, not the food or other products processed in it. **CUT ALONG THE DOTTED LINE AND SEND THE WARRANTY CARD ALONG WITH A COPY OF YOUR ORIGINAL PURCHASE RECEIPT TO:**

**Pragotrade LLC**  
20365 Progress Drive, Strongsville, OH 44149

## WARRANTY CARD

SEND THIS CARD ALONG WITH A COPY OF YOUR ORIGINAL PURCHASE RECEIPT

Customer Name: \_\_\_\_\_

Address: \_\_\_\_\_

City/State/Zip: \_\_\_\_\_

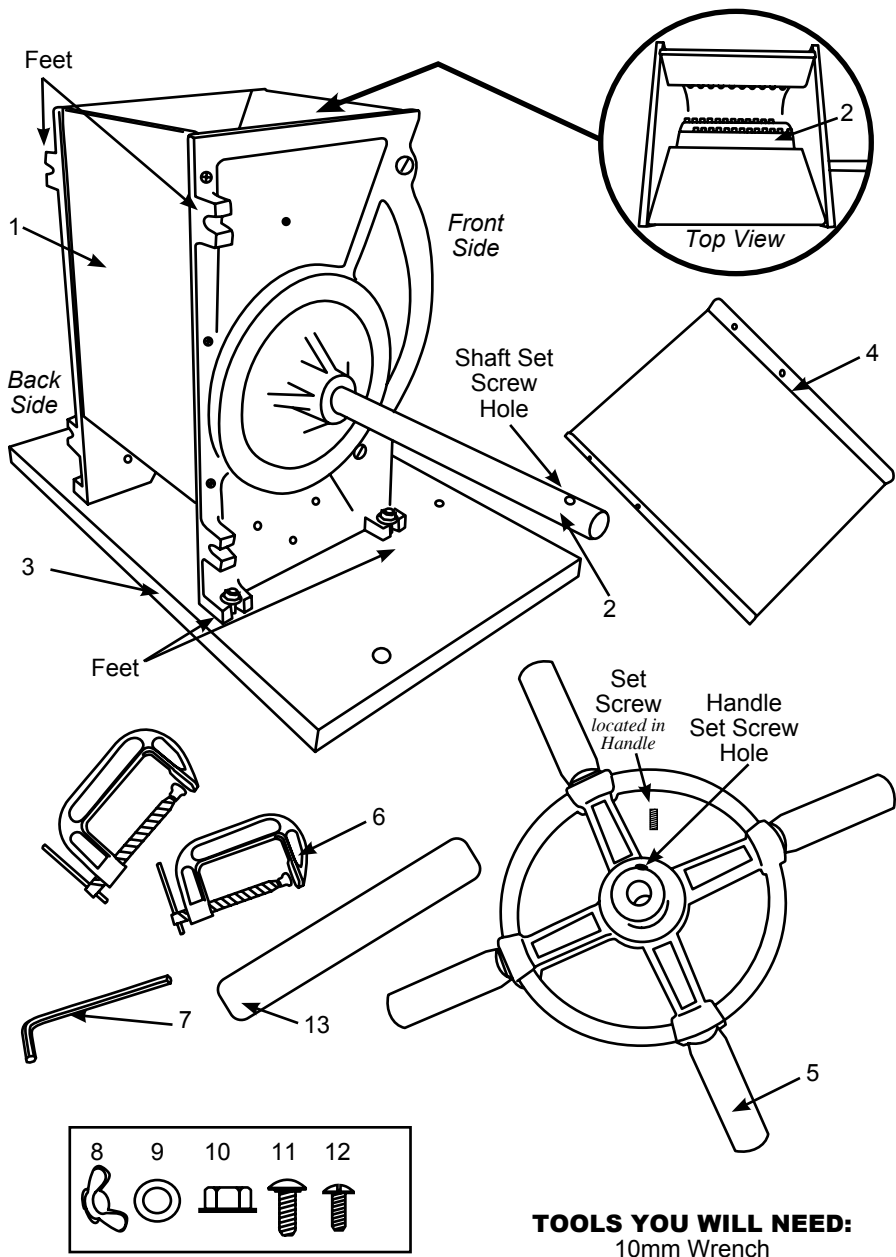
Telephone Number: (\_\_\_\_) \_\_\_\_\_

E-Mail Address: \_\_\_\_\_

Original Date of Purchase: \_\_\_\_/\_\_\_\_/\_\_\_\_

Product Model #: \_\_\_\_\_

Serial # (if applicable): \_\_\_\_\_



## USING THE APPLE CRUSHER

1. Cut apples or other large fruit into quarters.
2. Place apples/fruit in the top of the crusher.
3. Place a container below the apple chute to catch the crushed apples/fruit.
4. Slowly turn the **Handle clockwise** and watch the crushed apples/fruit fall into the container.
5. Turn the **Handle** back and forth to dislodge any apples/fruits that become stuck. You also can use the **Wooden Fruit Scraper** for this purpose. **DO NOT** turn the **Handle** while dislodging stuck fruit with the **Scraper**. **NEVER** use your fingers!
6. Use the **Wooden Fruit Scraper** to remove the crushed fruit from the **Chute**.

## CLEANING INSTRUCTIONS

- The easiest way to clean the **Apple & Fruit Crusher** is to spray it with a garden hose. Slowly turn the **Handle** while spraying the **Drum** to help remove any leftover fruit. You also may clean the outside of the **Crusher** using a sponge and soap and water or by wiping it with a cloth. Immediately dry the outside of the **Crusher** including the **Mounting Board** and **Handle**. Allow the **Drum** and inside of the **Crusher** to air-dry.



To avoid personal injury, **DO NOT touch the stainless steel Blades on the Wooden Drum.**



# APPLE & FRUIT CRUSHER

MODEL NO. 05-0201

## COMPONENT LIST

DIAGRAM NUMBER	PART DESCRIPTION	PART NUMBER
1	Crusher Body	05-0211
2	Wood Drum w/SS Crushing Blades & Shaft	05-0212
3	Mounting Board	05-0202
4	Chute	05-0206
5	Handle	05-0213
6	C-Clamp (2)	05-0214
7	4 mm Allen Wrench	05-0205
8	Wing Nut (4)	N/A
9	Flat Washer M6 (4)	N/A
10	Hex Flange Nut M6 (4)	N/A
11	Carriage Bolt M6 (4)	N/A
12	Machine Screw (4)	N/A
13	Wooden Fruit Scraper	05-0203

If any components of this unit are broken or the unit does not operate properly, call Pragotrade LLC Toll Free at

**1-800-814-4895**

Monday thru Friday 8:00am-5:00pm EST.  
Outside the U.S. call 440-638-3131

## ADDITIONAL ACCESSORIES AVAILABLE

Fruit & Wine Press	05-0101
Apple Hopper	05-0301

These products and many more products can be ordered by visiting [www.westonsupply.com](http://www.westonsupply.com) or by calling Pragotrade LLC Toll Free at 1-800-814-4895  
Monday thru Friday 8:00am-5:00pm EST.  
Outside the U.S. call 440-638-3131

## GENERAL SAFETY RULES

### **WARNING!**

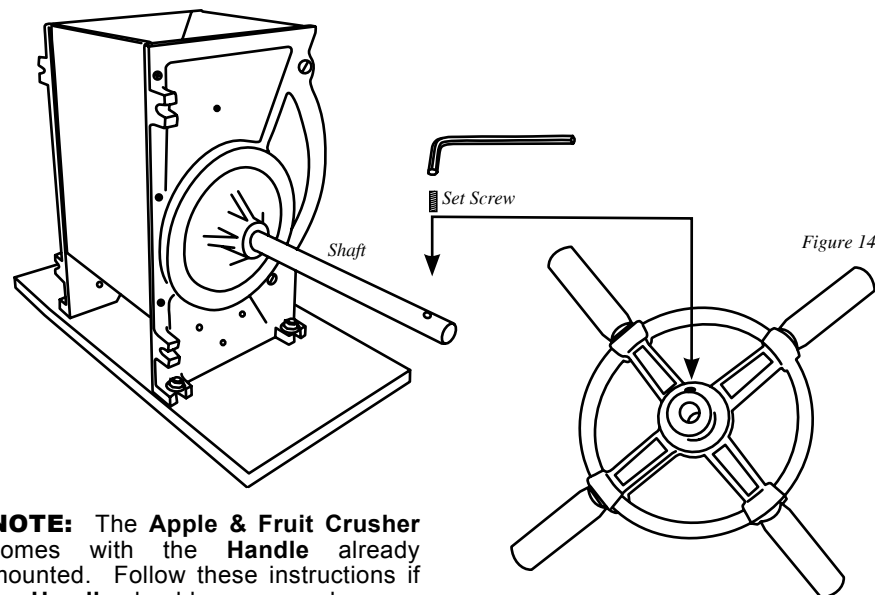
READ AND FULLY UNDERSTAND ALL INSTRUCTIONS AND WARNINGS PRIOR TO USING THIS UNIT. YOUR SAFETY IS MOST IMPORTANT! FAILURE TO COMPLY WITH PROCEDURES AND SAFE GUARDS MAY RESULT IN SERIOUS INJURY OR PROPERTY DAMAGE. **REMEMBER: YOUR PERSONAL SAFETY IS YOUR RESPONSIBILITY!**

1. To avoid personal injury, **NEVER** reach into the Chute or Main Body. Keep fingers and hands away from the Drum and Crushing Blades at all times.
2. **NEVER** use your fingers to clear a jam, clean the Drum or remove crushed fruit from the Chute. Use the Wooden Fruit Scraper.
3. **DO NOT** crush nuts, fruits with pits or large seeds, or other hard items in the Crusher.
4. Tie back loose hair and clothing, roll up long sleeves and remove ties and jewelry including rings, bracelets and watches before operating the Crusher.
5. **DO NOT** use the Crusher while under the influence of drugs, medications, or alcohol.
6. Make sure the Crusher is properly mounted on a sturdy, stable structure before use.
7. The Apple & Fruit Crusher is not a toy. **KEEP CHILDREN AWAY.** **NEVER** leave the Crusher unattended.
8. The manufacturer declines responsibility for the outcome of any improper use of this product.
9. Thoroughly wash the Crusher before and after each use. See the "Cleaning Instructions" section of this manual. The Apple & Fruit Crusher is not dishwasher safe.
10. The Fruit & Apple Crusher is for household use only. Commercial use of this product will void the warranty.

## SAVE THESE INSTRUCTIONS!


*Refer to them often and use them to instruct others.*

## HANDLE MOUNTING INSTRUCTIONS



**NOTE:** The **Apple & Fruit Crusher** comes with the **Handle** already mounted. Follow these instructions if the **Handle** should ever come loose or to reinstall it after cleaning.

1. Loosen the **Set Screw** on the **Handle** with the provided **Allen Wrench**. *Note: It is not necessary to completely remove the **Set Screw** from the **Handle**.*
2. Slide the **Handle** onto the **Shaft**. Align the **Handle Set Screw Hole** with the **Shaft Set Screw Hole** (Figure 14).
3. Using the **Allen Wrench**, tighten the **Set Screw** to the **Shaft**. **NOTE:** If the **Handle** slips on the **Shaft** while turning, the **Set Screw** is not correctly aligned or tightened. Repeat steps 1-3 until the **Handle** is secure.

 **CAUTION!** To avoid personal injury, **DO NOT** touch the stainless steel **Blades** on the **Wooden Drum**.

4. When wall-mounting the **Crusher**, make sure the **Handle** can freely rotate. An outside corner is an ideal location.

5. Mount the **Apple Crusher** to a solid wall.

6. Slide the **Chute** up into the **Apple Crusher Body** (Figures 11 & 12).

7. Line up Holes 1 & 2 of the **Chute** to Holes 1 & 2 of the **Apple Crusher Main Body** using **Machine Screws** and **Wing Nuts**. Repeat on the other side of the **Chute**. Tighten the **Wing Nuts** by hand (Figure 13).

**Continue to Handle Mounting Instructions**

**CAUTION!** To avoid personal injury, DO NOT touch the stainless steel Blades on the Wooden Drum.

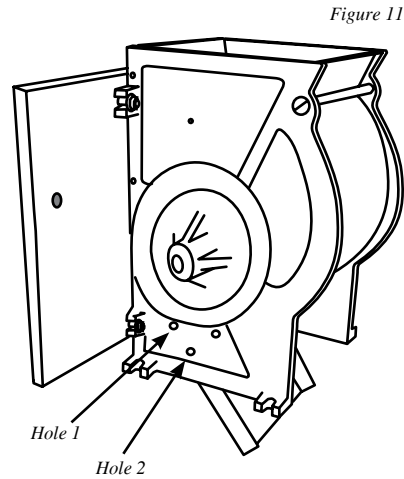


Figure 11

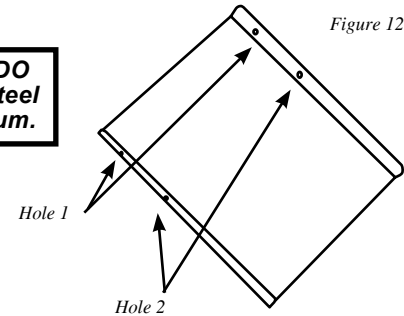


Figure 12

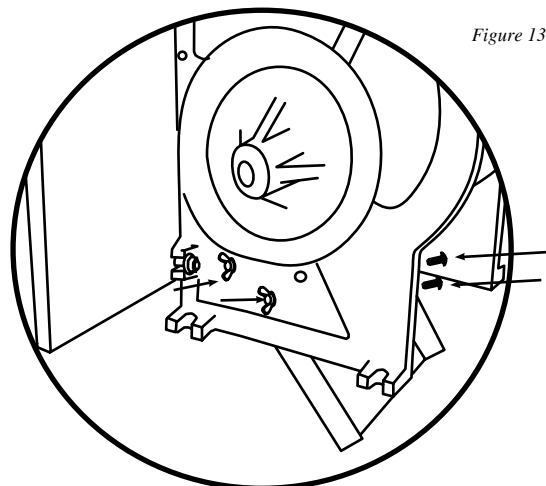


Figure 13

The **Apple & Fruit Crusher** can be used on a Table Top or Mounted to a wall. The **Apple & Fruit Crusher** comes pre-assembled to the **Mounting Board**.

**ASSEMBLY FOR TABLE MOUNTING**

**TOOLS YOU WILL NEED:**

- 10mm Wrench or an Adjustable Wrench

Note: The **Apple & Fruit Crusher** comes with the **Mounting Board** attached for use on a table top. Begin at Step 5 to complete the assembly.

1. Set the **Apple & Fruit Crusher** on its back side on a flat, level surface with the feet facing toward you.

2. Align holes A, B, C & D on the **Mounting Board** with Feet A, B, C, & D (Figures 1 & 2). The side of the **Mounting Board** with the stepped holes should face toward you.

3. Secure the **Mounting Board** to the **Feet** with the **Carriage Bolts**, **Flat Washers** and **Hex Flange Nuts** (Figure 3). Use a 10-mm wrench or adjustable wrench to tighten the **Hex Flange Nuts**.

4. Stand the **Apple & Fruit Crusher** upright on the **Mounting Board**.

**Continue to Step 5**

**CAUTION!** To avoid personal injury, DO NOT touch the stainless steel Blades on the Wooden Drum.

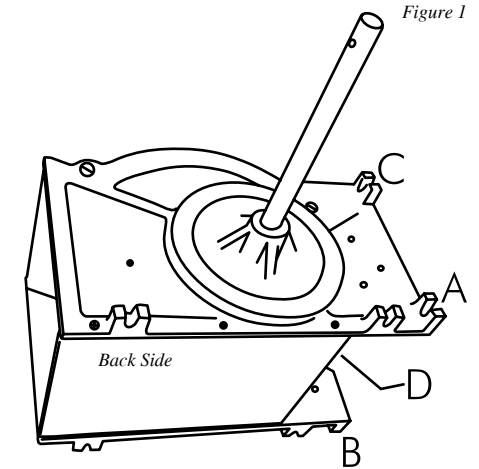


Figure 1

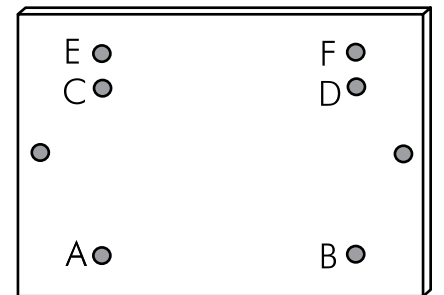


Figure 2

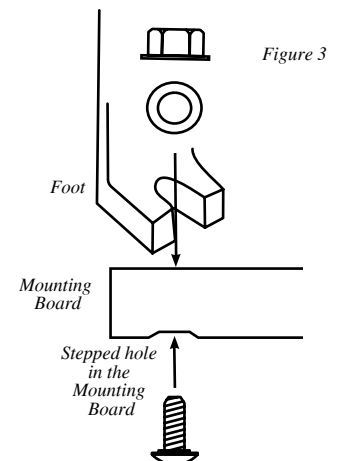


Figure 3

5. Slide the **Chute** up into the **Apple Crusher Body** (Figures 4 & 5).

6. Line up Hole 1 of the **Chute** to Hole 1 of the **Apple Crusher**. Secure the **Chute** to the **Apple Crusher Main Body** using a **Machine Screw** and **Wing Nut**. Repeat on the other side of the **Chute**. Tighten both **Wing Nuts** by hand (Figure 6).

7. When table-mounting the **Crusher**, make sure the **Handle** can freely rotate. A table corner is an ideal location.

8. Secure the **Crusher** to the table with the two **C-Clamps** (Figure 7).

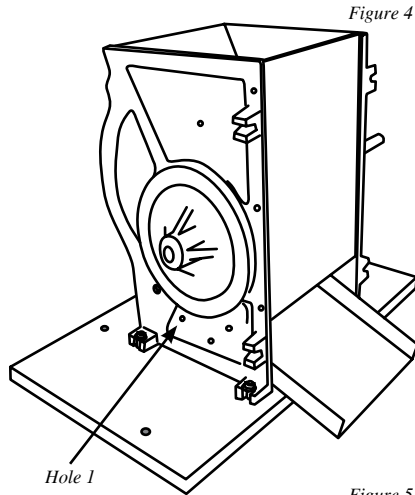


Figure 4

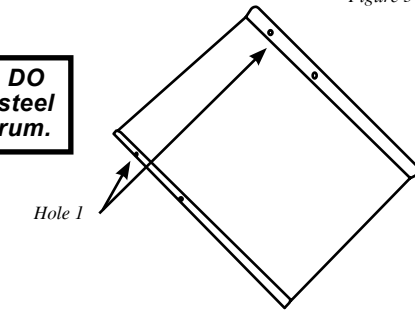


Figure 5

**Continue to Handle Mounting Instructions**

**CAUTION!** To avoid personal injury, DO NOT touch the stainless steel Blades on the Wooden Drum.

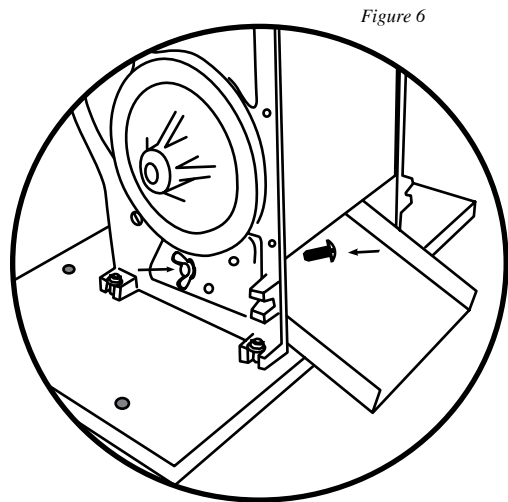


Figure 6

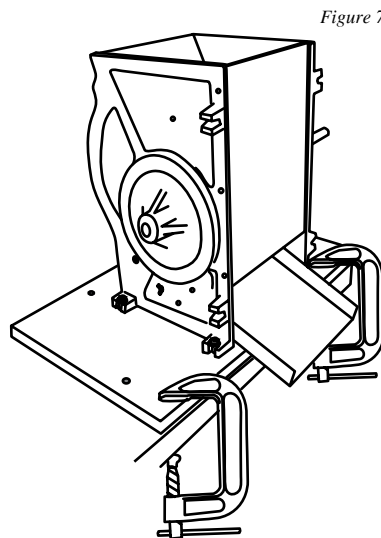


Figure 7

## ASSEMBLY FOR WALL MOUNTING

**YOU WILL NEED:**

- 10mm Wrench or an Adjustable Wrench
- Two 3/8" Bolts and Washers
- Wall Anchors

**NOTICE:** These instructions only are for assembling the **Apple & Fruit Crusher** for wall mounting. It is the user's responsibility to properly mount the **Crusher**.

**WARNING!** The **Apple & Fruit Crusher** is very heavy. Make sure the wall is solid and stable before mounting the **Crusher** to it. Failure to properly mount the **Crusher** may result in serious personal injury!

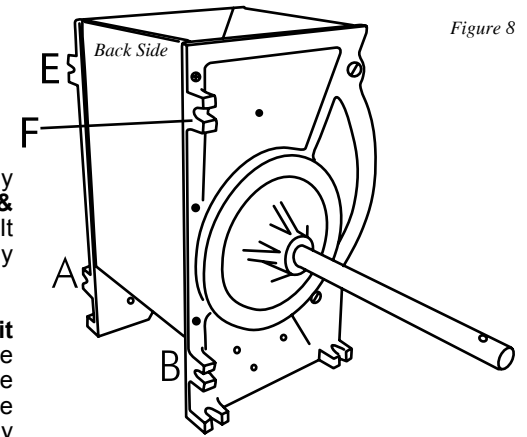


Figure 8

1. Stand the **Apple Crusher Main Body** upright on a flat, level surface with the **Back Side** facing toward you.

2. Align holes A, B, E & F on the **Mounting Board** with **Feet A, B, E, & F** (Figures 8 & 9). The side of the **Mounting Board** with the stepped holes should face toward you.

3. Secure the **Mounting Board** to the **Feet** with the **Carriage Bolts, Flat Washers** and **Hex Flange Nuts** (Figure 10). Use a 10-mm wrench or an adjustable wrench to tighten the **Hex Flange Nuts**.

**Continue to Step 4**

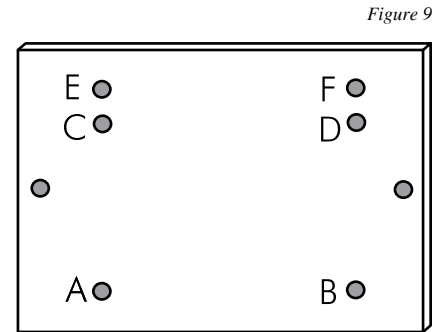


Figure 9

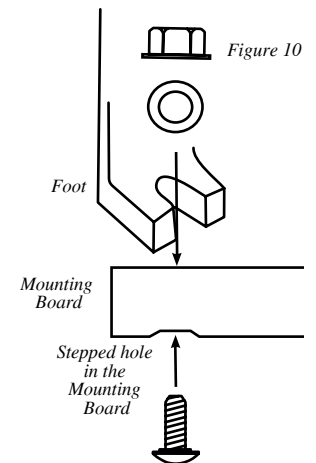


Figure 10

**CAUTION!** To avoid personal injury, DO NOT touch the stainless steel Blades on the Wooden Drum.